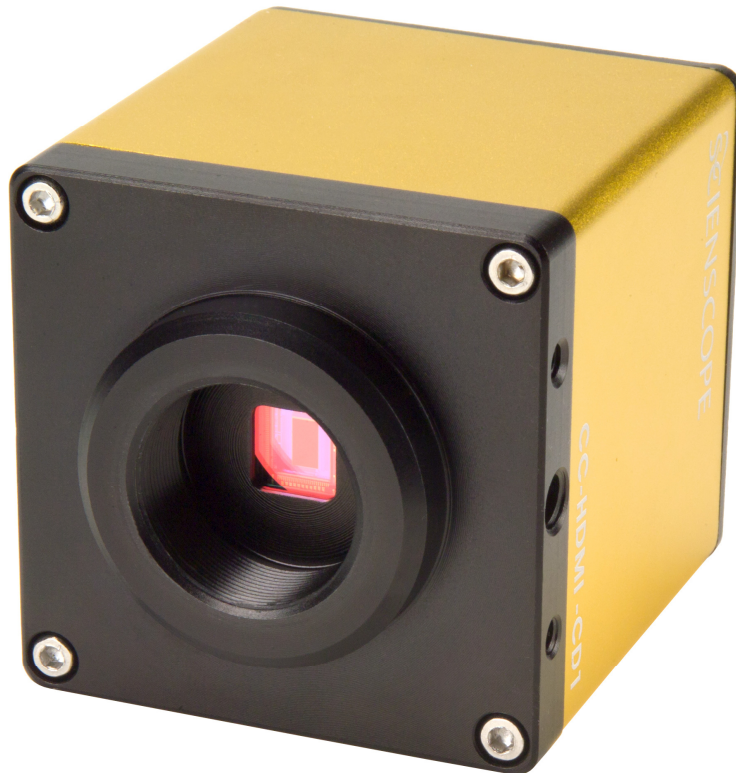


# SCIENSCOPE™

## CC-HDMI-CD1

*Owner's Manual*



ScienScope International 5751 Schaefer Ave. Chino, Ca 91710 PH: 1-800-216-1800

We Sell Solutions

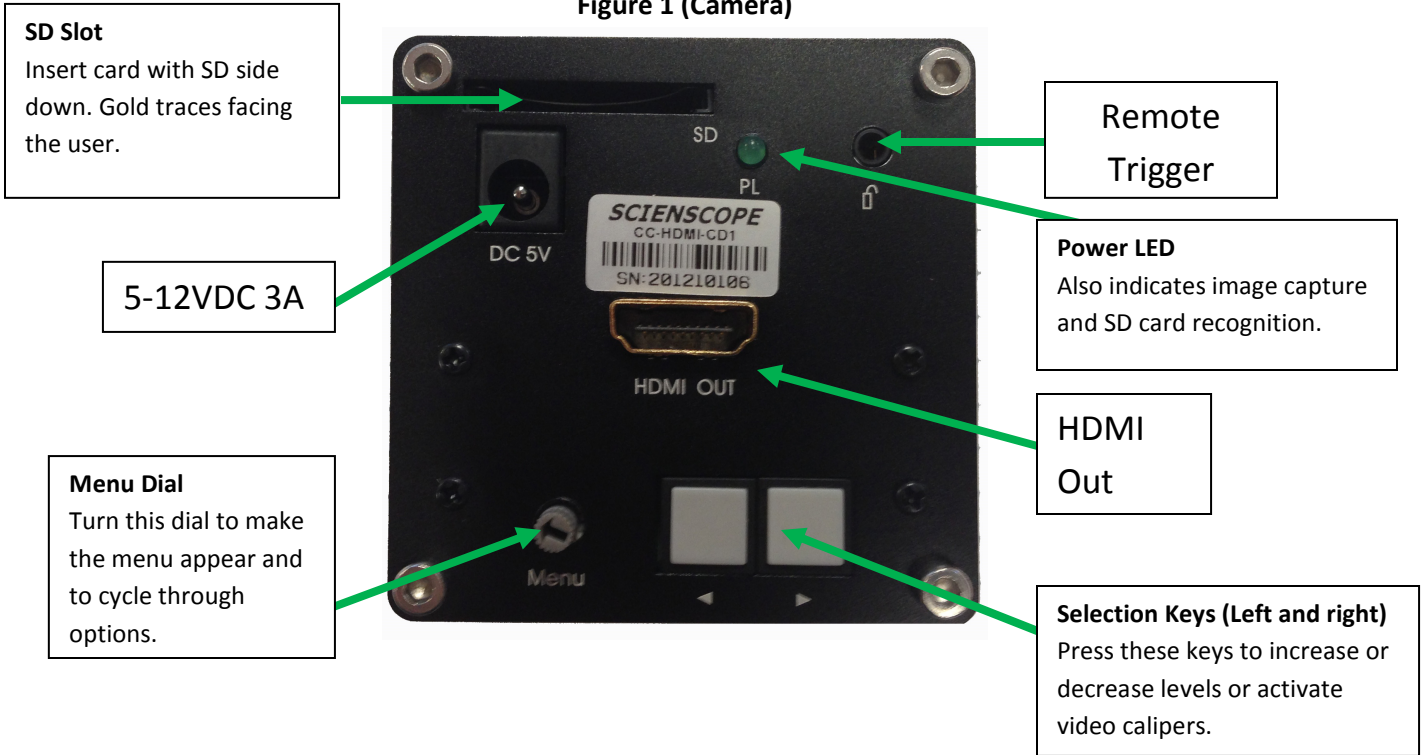
**CC-HDMI-CD1**

**1080p High Definition Camera**

**Specifications:**

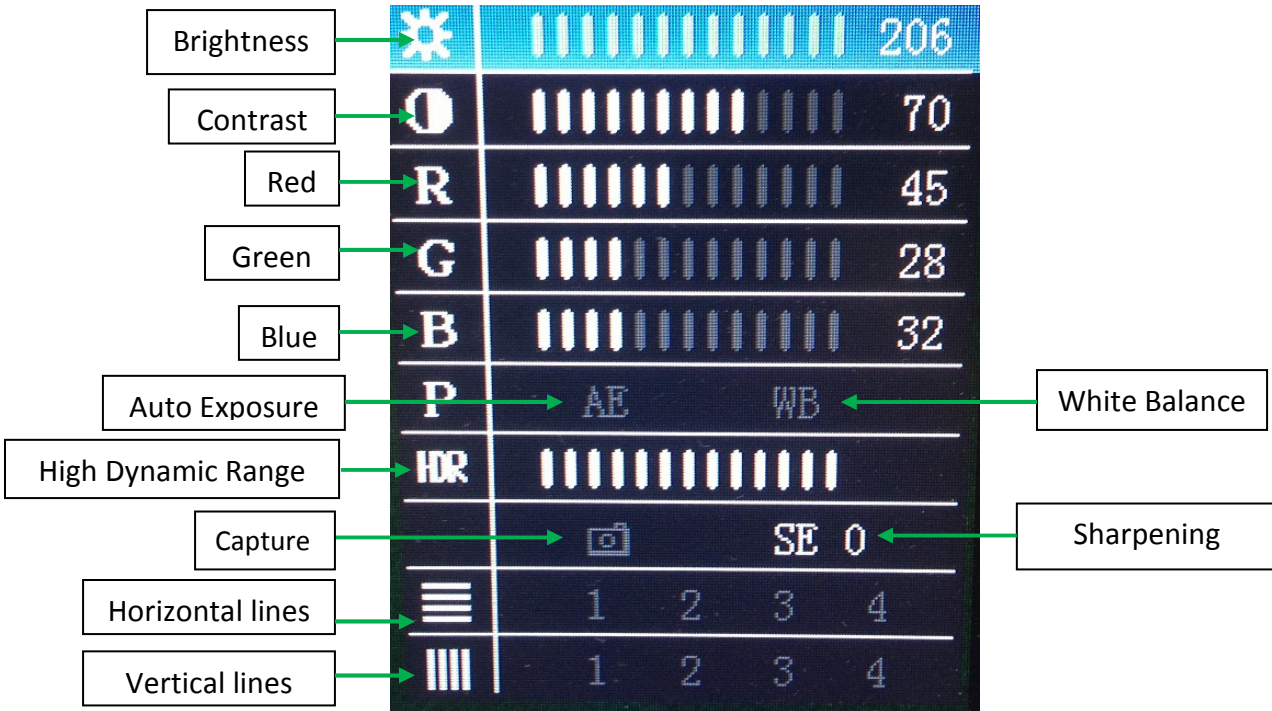
Sensor:	CMOS
Size:	1/2.5"
Resolution:	1080p (1920 x 1080)
Frame rate:	60fps
Pixel:	2 mega pixel (2.8 x 2.8um)
Color:	RGB (individual adjustment)
White balance:	auto/manual
Exposure:	auto/manual
Contrast:	manual
Capture mode:	manual/trigger
Memory slot:	SD (4G or below; Kingston or SanDisk compatible)
Memory card:	SD/USB 2.0 Dual-Interface 4GB card included
Cross hair grid:	Up to 4 horizontal and 4 vertical (6 color selections)
Lens mount:	C-Mount
Power:	5-12VDC
Camera size:	77 x 61 x 61 mm
Camera weight:	270g
Temperature:	0-70°C

Figure 1 (Camera)



ON-SCREEN MENU

Figure 2 (Onscreen Menu)



## CC-HDMI-CD1 or CC-CMC-LCD10 Quick Start and trouble Shooting Guide

- 1) Connect the provided power supply to the wall outlet then to the camera. If you are using the **CC-HDMI-CD1** the voltage rating should be 5VDC. If you are using the **CC-CMC-LCD10** the voltage rating should be 12VDC.
- 2) Connect the camera to the monitor using the provided HDMI cable.
- 3) For the best image perform a **White Balance (WB)**. If you are using a **CC-HDMI-CD1** Turn the dial on the back of the camera until you have highlighted menu line "P" and press the button on the right. If you are using the **CC-CMC-LCD10** press the up/down button on the wired remote until you have highlighted menu line "P" and press the right button on the wired remote.
- 4) To capture images please do the following:
  - a) Insert SD/USB card into SD card slot with the gold SD traces facing you and facing down.
  - b) Watch for green LED on the back of camera to flash momentarily. This means that the card has been recognized by the camera and is now ready to take images. If you are using the **CC-CMC-LCD10** the monitor will say SD Ready in the lower right hand corner of the screen.
  - c) If you are using the **CC-HDMI-CD1** you can now capture images using the wired trigger or the onscreen menu. If you are using the **CC-CMC-LCD10** you can now capture images using the wired remote control or onscreen menu.
  - d) To remove the SD/USB card after capturing images **PUSH** to eject the card from the slot. **DO NOT PULL THE CARD OUT.**
  - e) Take the card to any computer with a SD or USB port and download your images using **Windows Explorer**.
- 5) **If your camera is not capturing images perform the following:**
  - a) The card may have been corrupted. To fix this: insert it into a computer via the SD or USB port and reformat the card using Windows. Right click on the card and click Format. Select FAT32 as your file format. Click Format.
  - b) The DCIM file may have been accidentally deleted. If this happens the camera will not be able to capture images. To regenerate the file: Remove the SD/USB card from the camera. Disconnect the power from the camera. Insert the SD/USB card while the power is disconnected. Reconnect the power to the camera. This will regenerate the DCIM file and you will be able to capture images.
  - c) The camera cannot capture more images while an image is being written to the card. If the light is flashing wait until it stops to capture another image.
  - d) The camera will not capture images if the card is not inserted properly. Eject the card by pushing on it to eject it from the camera. Reinsert the card by pushing on it until you feel a click.

### **How to Adjust Cross-hair Grid**

1. View the menu on the bottom right of the LCD for guidance (see figure 2 above).
2. Using the menu dial, select **the horizontal line icon or vertical line icon** and press the two selection buttons (< & >) simultaneously to display a horizontal or vertical line on the screen. Various colors are available (black, white, blue, green and red). You can have up to (4) horizontal or vertical lines at one time.
3. To change the position of a line select it with the menu dial and press the selection keys (left or right). Holding a selection key down will make it move faster.
4. **Use the selection buttons to add or delete vertical and horizontal lines simply by pressing them simultaneously.**